

IR Micro Office 6m

DALI-2 APC - surface
 EAN 4007841 067137
 Article number 067137



Infrarot-Sensor 360°



Max. 4 x 4 m Präsenz



Einstellungen via App



Vernetzbar via Bluetooth



DALI-2



Plastikfreie Verpackung



Energie sparen

5 years

Herstellergarantie
 steinel-professional.de/
 garantie



CE

Function description

Slim, precise and intelligent. Demanded by architects and planners, made by STEINEL. The IR Micro Office fulfils many wishes. Its low installation height makes it perfect for applications where no disruptive installations on the ceiling are desired. The micro precision lens measures just 15 x 15 mm. The 360° infrared presence detector covers 36 m². As a DALI-2 single master application controller, it controls up to 20 DALI devices in broadcast mode. In this way, it offers optimal lighting management for individual room solutions, including constant light control. Settings and networking are easily realised via Bluetooth Mesh.

Technical specifications

Dimensions (Ø x H)	106 x 45 mm	Optimum mounting height	2,8 m
With motion detector	Yes	Detection angle	360 °
Manufacturer's Warranty	5 years	Angle of aperture	90 °
Settings via	Bluetooth	Sneak-by guard	Yes
With remote control	No	Capability of masking out individual segments	Yes
Version	DALI-2 APC - surface	Electronic scalability	No
PU1, EAN	4007841067137	Mechanical scalability	Yes
Type	Presence detector	Reach, radial	4 x 4 m (16 m ²)
Application, place	Indoors	Reach, tangential	6 x 6 m (36 m ²)
Application, room	Indoors, one-person office, function room / ancillary room, conference room / meeting room, duty room, recreation room, kitchenette	Reach, presence	4 x 4 m (16 m ²)
Colour	white	Switching zones	168 switching zones
Colour, RAL	9003	Abdeckmaterial Lieferumfang	shrouds
Includes corner wall mount	No	Functions	Semi-/fully automatic, Lighting scenario, Manual ON / ON-OFF, Normal / test mode, Neighbouring group function, TouchDIM function,
Installation site	ceiling		

IR Micro Office 6m

DALI-2 APC - surface
 EAN 4007841 067137
 Article number 067137



Technical specifications

Installation	Surface wiring, Ceiling
IP-rating	IP20
Ambient temperature	-25 – 55 °C
Material	Plastic
Mains power supply	220 – 240 V / 50 – 60 Hz
Number of Dali users	20
Steuerangang, Dali	Broadcast 1x20 electronic ballasts
Technology, sensors	passive infrared, Light sensor
Mounting height	2 – 5 m
Mounting height max.	5,00 m

Motions sensor, Constant-lighting control, Light sensor, Adjustable fade time when switching on and off, Constant-lighting control ON-OFF, Presence function, Presence detector logic

Twilight setting	2 – 1000 lx
Time setting	5 s – 60 Min.
Basic light level function	Yes
Basic light level function time	10s-60 min, all night, Brightness-controlled, OFF
Main light adjustable	0 - 100 %
Twilight setting TEACH	Yes
Constant-lighting control	Yes
Interconnection	Yes
Interconnection via	Bluetooth Mesh Connect
Type DALI output	Single-Master

Accessories

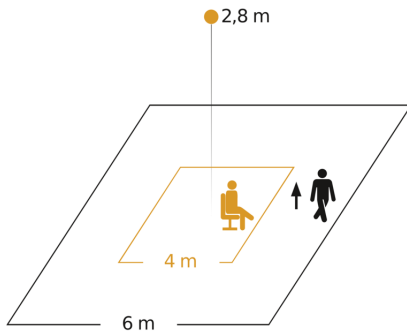
EAN 4007841 084653	Wireless push button PB2-Bluetooth
EAN 4007841 084660	Wireless push button PB4-Bluetooth

IR Micro Office 6m

DALI-2 APC - surface
EAN 4007841 067137
Article number 067137

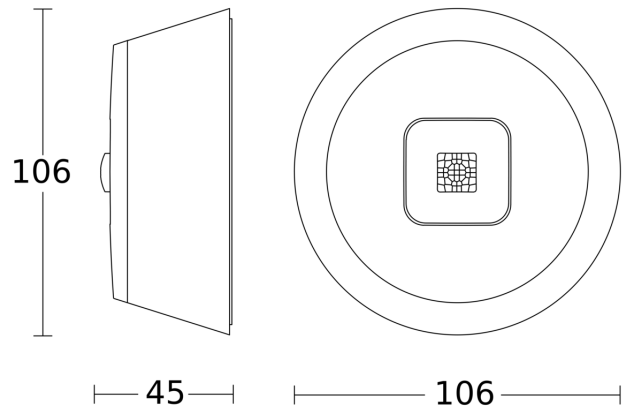


Detection Zone



Possible mounting height: 2,00 m - 5,00 m
Orange: presence
Black: tangential

Dimension Drawing



Circuit diagram

